



MAYTAG MH33PN WASHING MACHINE

DIMENSIONS:

Height: 961mm
Width: 686mm
Depth: 732mm

CAPACITY:

9kg

IDEAL FOR:



EDUCATION



HOSPITALITY

FEATURES:

- ▶ Delivers more accurate cycle times and better unbalanced performance
- ▶ A six-point suspension provides better stability
- ▶ Energy-Efficient Cleaning
- ▶ TurboWash™ System's proven high efficiency technology delivers energy savings
- ▶ Duracore Drive System
- ▶ Durable shaft sleeve
- ▶ Designed to eliminate shaft wear
- ▶ Watertight, flexible triple-lip seal with garter spring protecting bearings and life cycle
- ▶ Only uses 40.5l of water per cycle
- ▶ An accelerometer provides an accurate reading of cabinet vibration

OPTIONS:

- ▶ Coin operated models available
- ▶ Stackable with MDE28PN

PROGRAMMES:

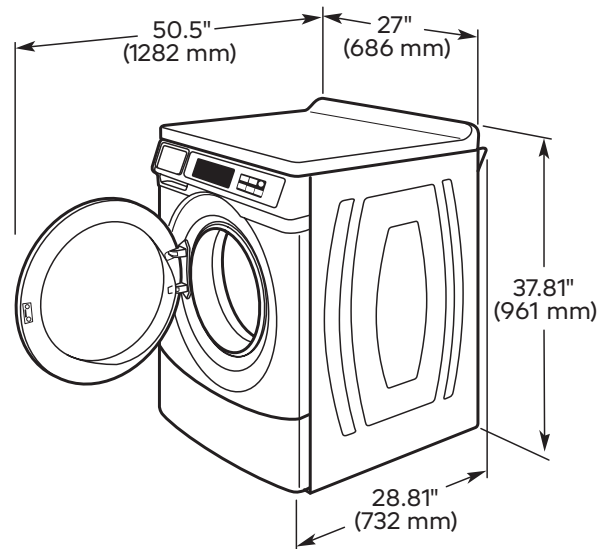
- ▶ Clothespin® app by Maytag

With our Clothespin™ app, residents will be able to pay for their laundry using their smartphone, check for available machines, and receive a notification when a cycle is complete. Now they can keep an eye on their laundry from wherever they are, making laundry day a littler easier

ONECARE^{cc} This machine is eligible for our all inclusive service solution, One Care.

MAYTAG MHN33PD

Washer Specifications	
Motor	½ (.37)
Variable-Speed, Reversible, Thermoprotected,	Yes
High-Efficiency, Controlled Induction	.09 (.07)
Wash	.54 (.40) hp (kw)
Extract	.054 hp (kw)
Average Energy Consumption Per Cycle	6.7 (190) (kwh)
Capacity	
Cylinder Volume cu. ft. (liters)	31 (88)
Cylinder Diameter in. (mm)	21.6 (547)
Cylinder Depth in. (mm)	13.4 (341)
Water Inlet Hose	
Water Inlet Hose ft. (m)	4 (1.22)
Drain Hose	
Drain Hose ft. (m)	6 (1.83)
Approximate Water Usage	
Average Hot Water Usage, Hot Water Cycle	2.71 (10.26) gallons (liters)
Average Hot Water Usage, Warm Water Cycle	.71 (2.69) gallons (liters)
Average Total Water Usage Per Cycle*	10.71 (40.5) gallons (liters)
Modified Energy Factor (Mefj2)*	2.2
Integrated Water Factor (Iwf)*	3.50
Electrical Rating	
Domestic Model - voltage	220v / 50hz
Breaker / Fuse Min. Requirements	
Domestic Model	13 amps
Wash Speed	40 rpm
Extract Speed - max rpm / max g-forc	1,000 / 300
Water Supply Pressure	
Breaker / Fuse Min. Requirements - psi (bar)	20 – 100 (1 – 8)
Adjustable Leveling Legs	Yes
Color	White
Approximate Weight	
Crated - lbs. (kg)	254 (115)
Uncrated - lbs. (kg)	245 (111)
Dimensions	
Width -in. (mm)	27 (686)
Depth- in. (mm)	28.81 (732)
Height -in. (mm)	37.81 (961)**
Door Opening Diameter -in. (mm)**	14.25 (362)
Ada-Compliant With Optional Pedestal	Yes
Optional Pedestal Add:	
Height -in. (mm)	2.75 (70)





MAYTAG MDE28PN TUMBLE DRYER



DIMENSIONS:

Height: 1162mm
Width: 686mm
Depth: 737mm

CAPACITY:

9kg

IDEAL FOR:



EDUCATION



HOSPITALITY

FEATURES:

- ▶ Turbovent Dryer Technology
- ▶ Additional blower wheel provides exceptional performance in long vents
- ▶ High airflow reduces dry time
- ▶ Durable finish for high-use environments
- ▶ Easy one-touch cycle selection for customers

- ▶ Provides simple programming options for owner: including adjustable cycle price, cycle time, diagnostics and vend count

OPTIONS:

- ▶ Coin operated
- ▶ models available
- ▶ Vented, Gas or Electric Heated Stackable with MH33PN

PROGRAMMES:

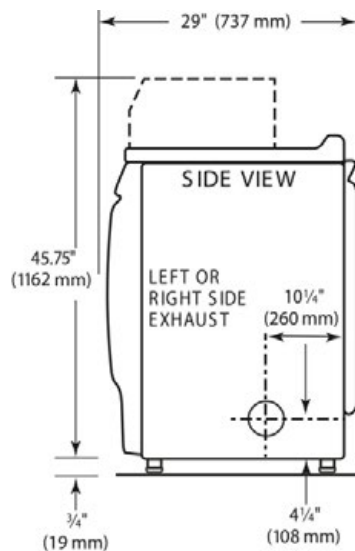
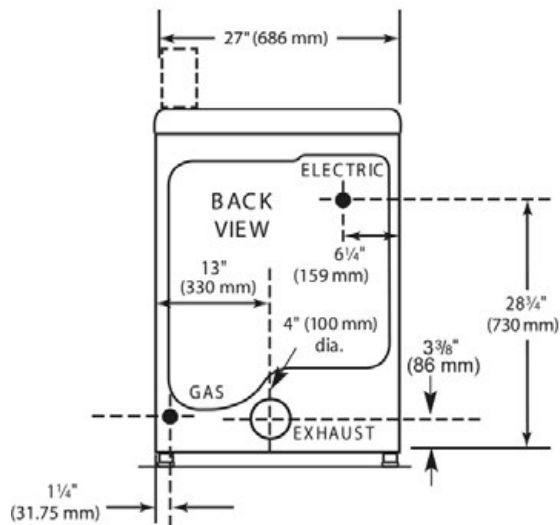
- ▶ MAYTAG CONNECT 360 COMPATIBLE

Delivers real-time machine diagnostic to any tablet, computer or smartphone via the cloud. Management and feedback features offer owners the ultimate in machine control keeping you informed regarding pricing, service and diagnosis from anywhere you have access to the internet.

ONECARE[∞] This machine is eligible for our all inclusive service solution, One Care.

MAYTAG MDE28PD

Motor	
Single-Phase, Thermoprotected Against Overload, Auto Reset	Yes
Hp	1/2 (.25) kW
Tumble Speed	50 + 1 rpm
Capacity	
Capacity cu. ft. (litres)	6.7 (190)
Airflow	
Gas Models cfm (cmm)	230 (6.5)
Electric Models cfm (cmm)	215 (6.1)
Sound Level	
Sound Pressure Level lpa (dba)	58
Electrical Requirements (V)	
Electrical Requirements (V)	220-240v/50hz
Breaker/Fuse	
Mde Export Model amps	25
Mde Export Model amps	10
Electric Heating Element	
Electric Heating Element	4,600 W
Gas Rating	
Mdg Model - Btu/Hr (Kcal/Hr.)	20,000 (5,040) W
Exhaust Duct Diameter- In (Mm)	4 (100)*
Electronic Burner Ignition	
Mdg Model	Yes
Gas Inlet	
Mdg Model (Inches)	3/8 N.P.T
Adjustable Leveling Legs	Yes
Approximate Weight	
Crated - lbs. (kg) electric/gas	160 (73)/113 (74)
Uncrated - lbs. (kg) electric/gas	147 (67)/150 (68)
Dimensions	
Width-In	27 (686mm)
Depth-In	29 (737mm)
Height-In	45.75 (1,162mm)
Door Opening Diameter-In	18.25 (464mm)
Optional Plinth Adds	
Height-In	2.75 (70mm)



*Use 4" (100 mm) diameter rigid aluminum or galvanized steel duct. Never use plastic, non-metal or combustible duct.

**Includes height of metercase.

See specific instructions for proper installation.

Because of continuous product improvement, Maytag reserves the right to change specifications without notice.